

# **DTY-1/12 R**

**1/12 SCALE COMPETITION PAN CAR KIT**

MANUFACTURED BY

**ROOPE**

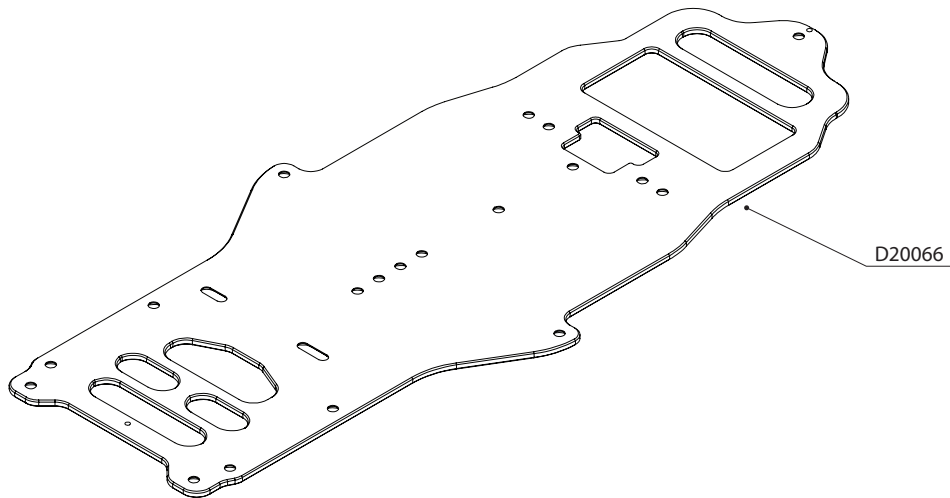
**INSTRUCTION  
MANUAL**

# 1 CHASSIS PREPARATION

シャーシの準備



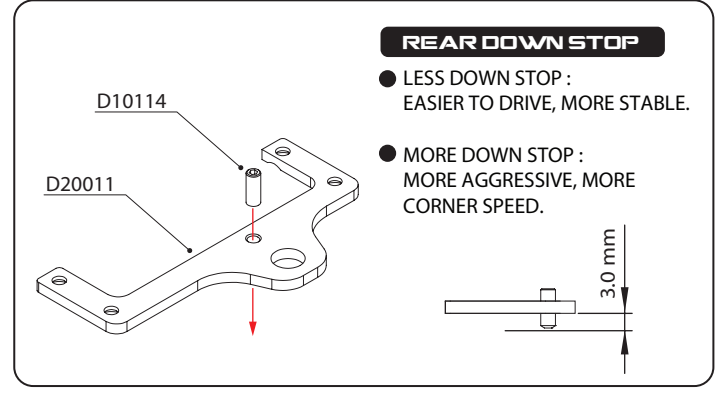
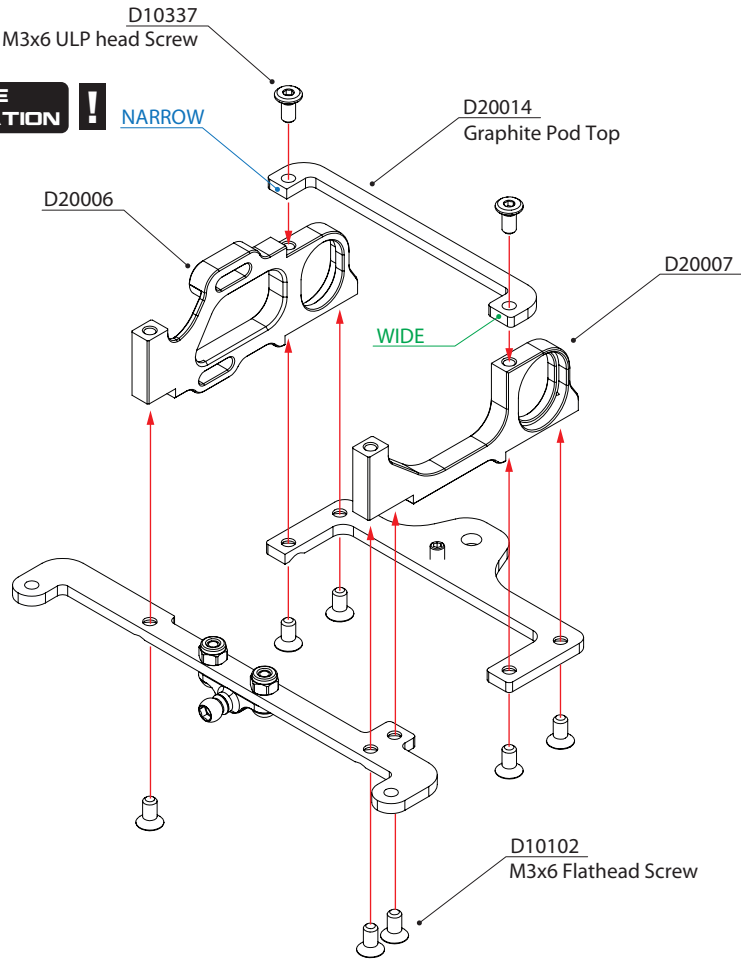
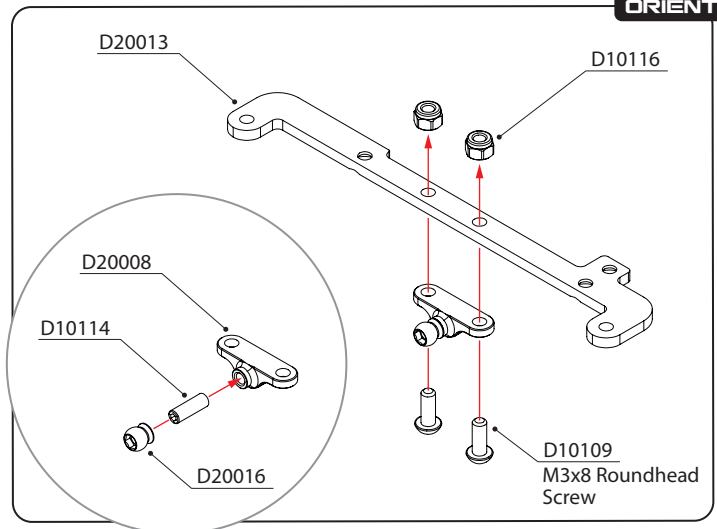
1



## 2 PIVOT BLOCK AND REAR BULKHEAD

BAG **A**

**NOTE ORIENTATION !**

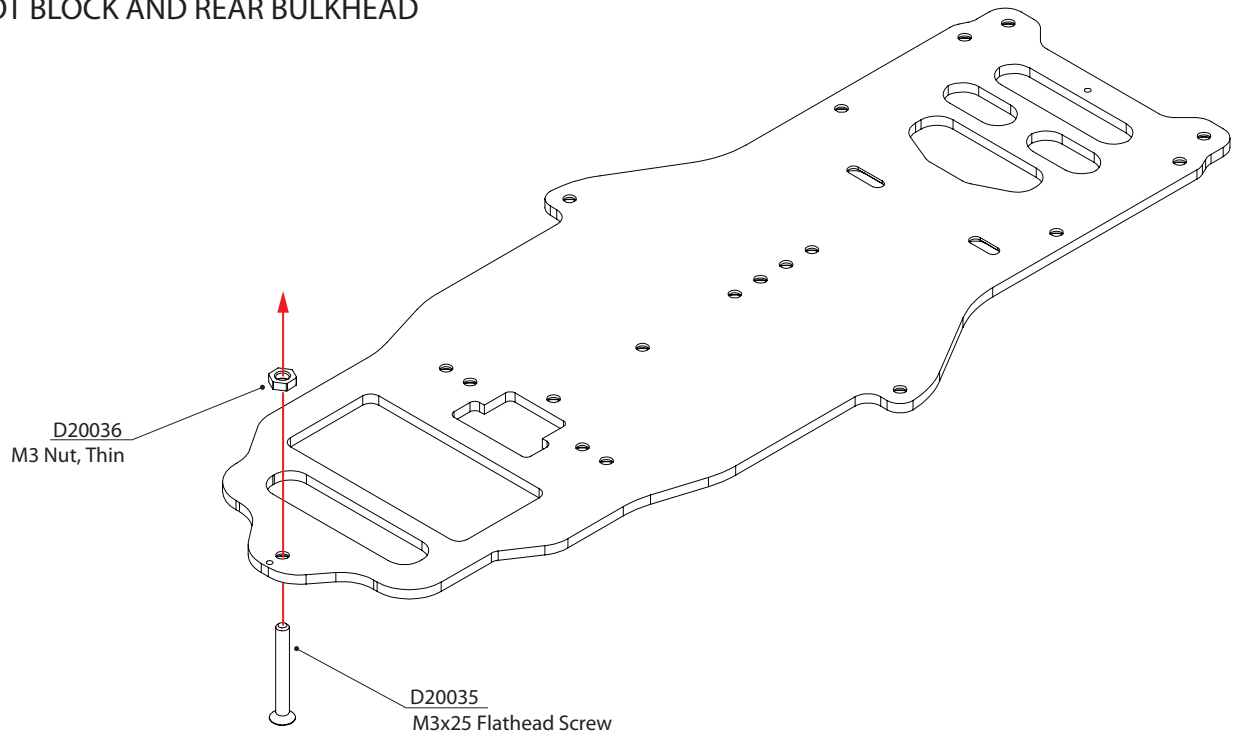


- D20066 2.0mm Aluminum Main Chassis
- D20006 Aluminum Motor Mount
- D20007 Aluminum Left Bulkhead
- D20008 Aluminum Ball Block
- D20011 Graphite Pod Base

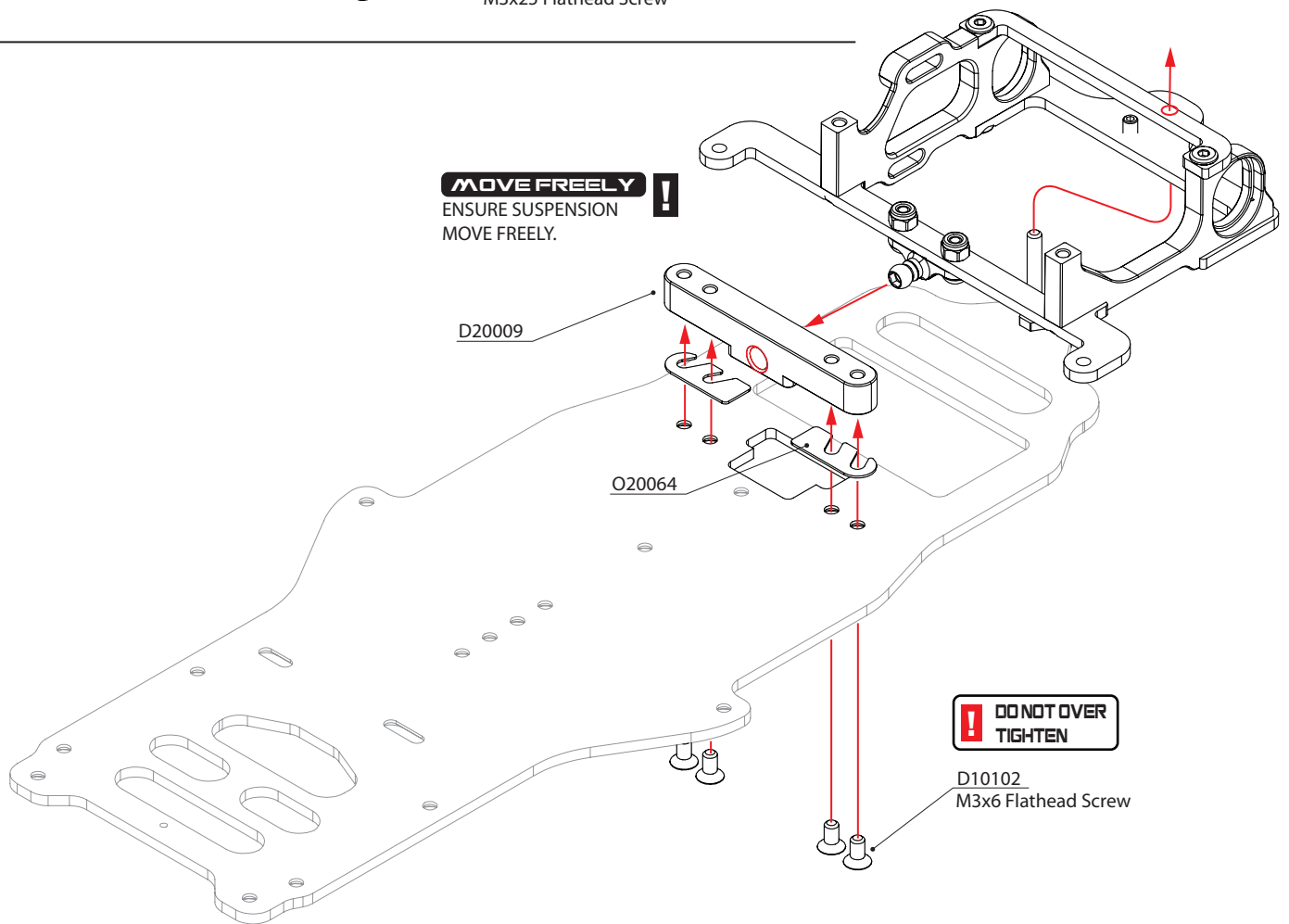
- D20013 Graphite Pod Front
- D20016 Aluminum 5mm Pivot Ball, 5 pcs
- D10109 M3x8 Roundhead Screw, 10 pcs
- D10114 M3x8 Set Screw, 10 pcs
- D10116 M3 Lock Nut, 10 pcs

### 3

### PIVOT BLOCK AND REAR BULKHEAD



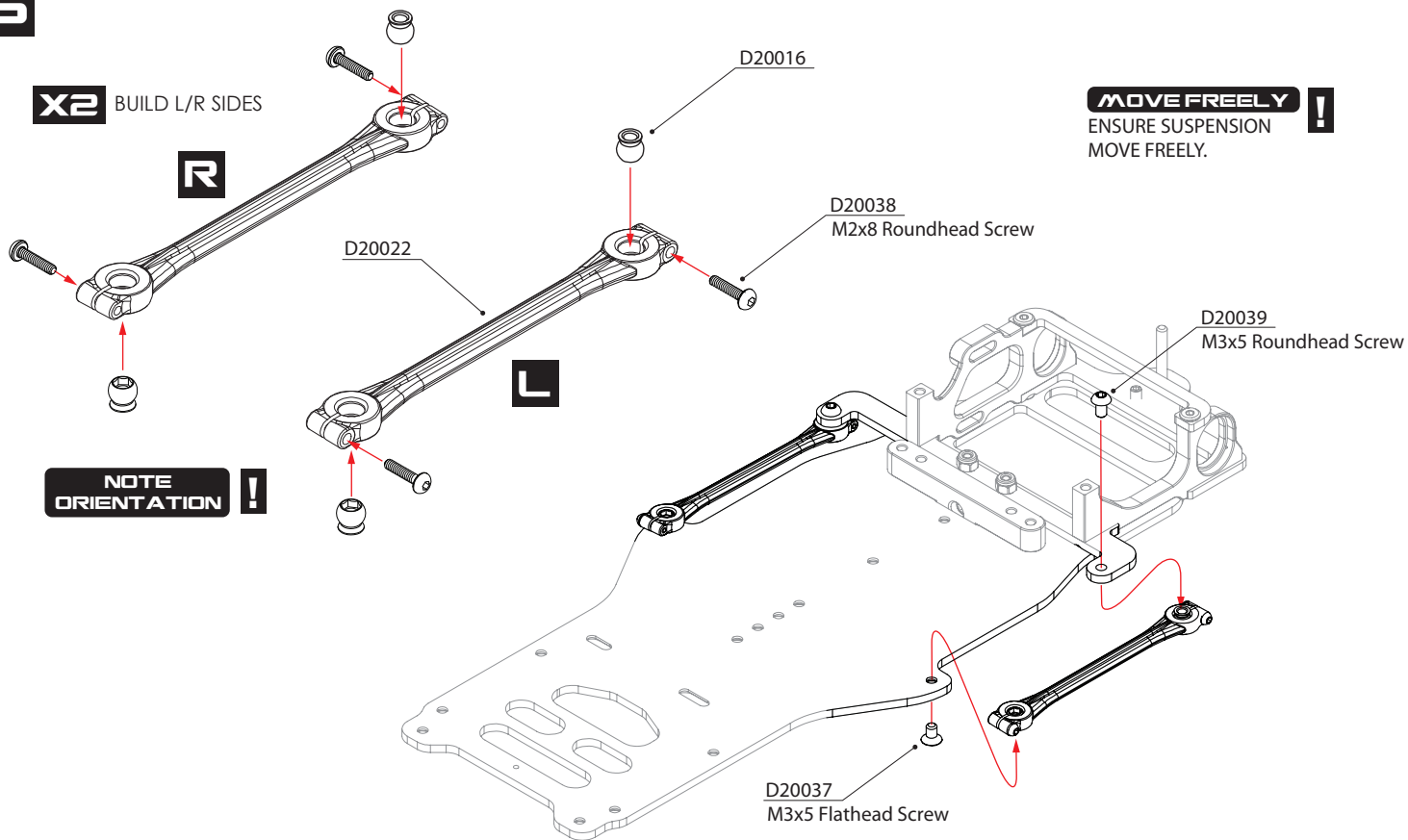
### 4



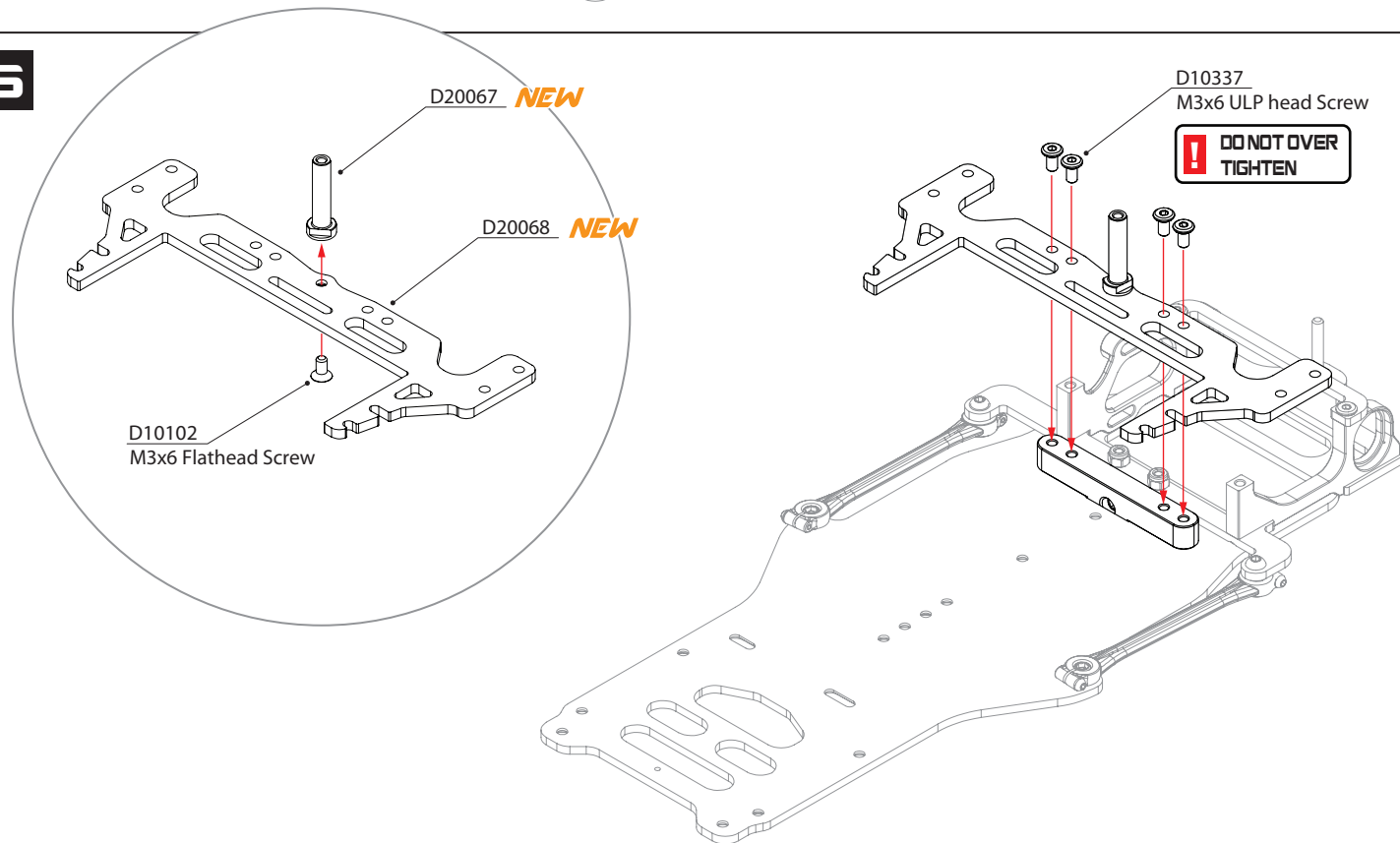
- D10102 M3x6 Flathead Screw, 10 pcs
- D20009 Pivot Block (Derlin)
- D20035 M3x25 Flathead Screw, 5 pcs
- D20036 M3 Nut, Thin, 10 pcs
- D20041 Rear Spring Adjuster Set

- O20064 0.5mm Spacers for Aluminum Main Chassis

5

**X2** BUILD L/R SIDES**R****L**

6

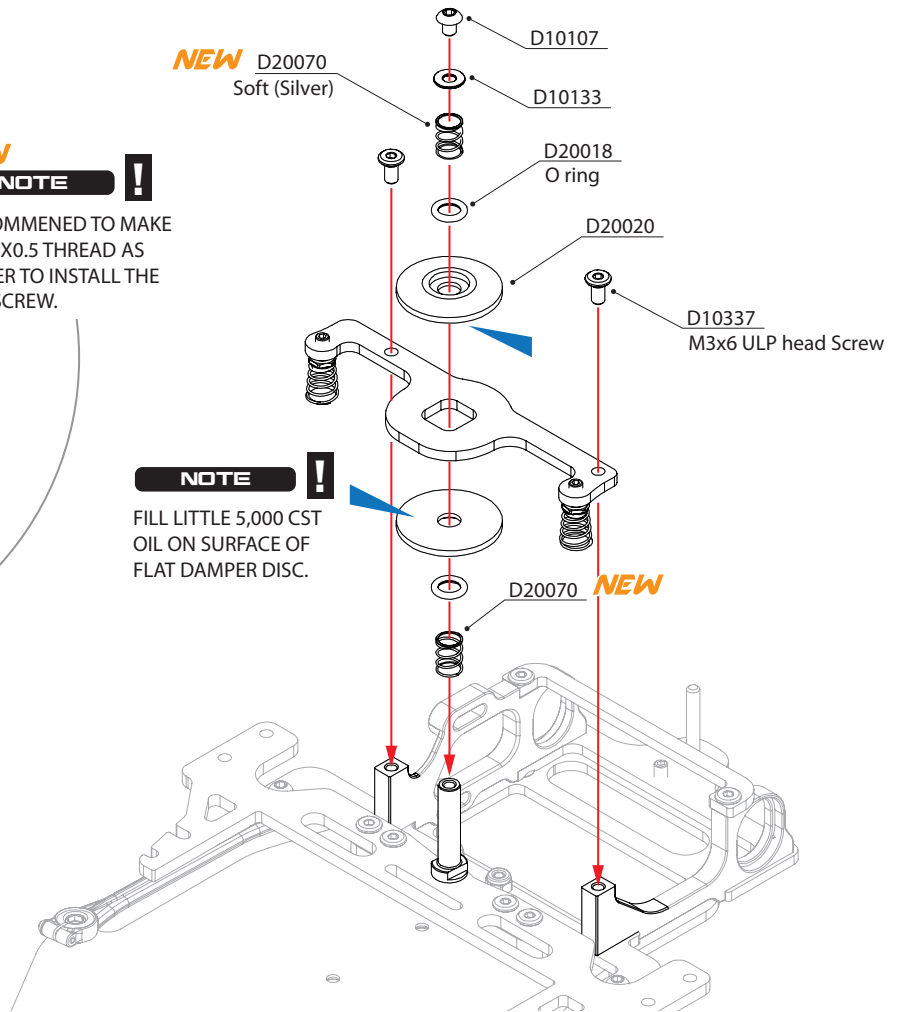
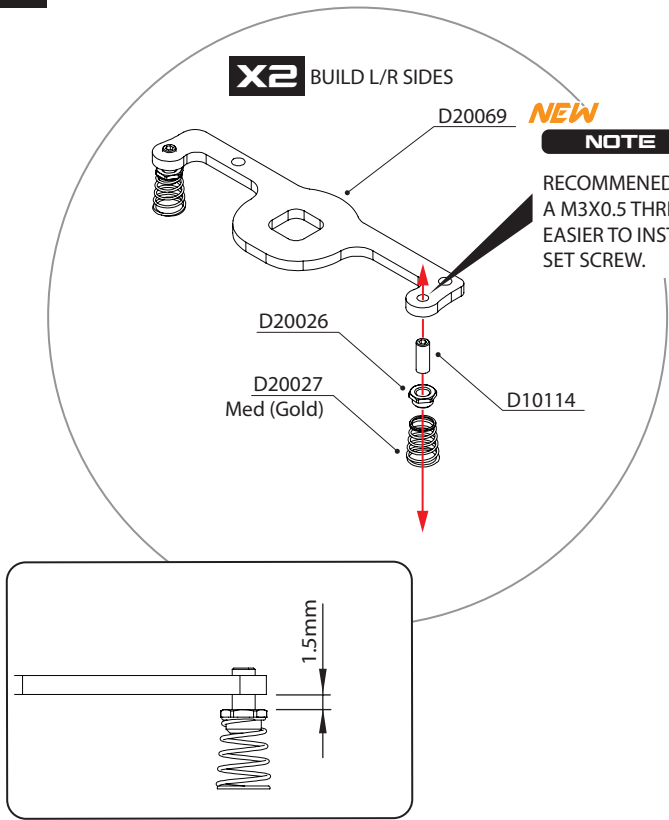


D10102 M3x6 Flathead Screw, 10 pcs  
 D10337 M3x6 ULP head Screw, 10 pcs  
 D20016 Aluminum 5mm Pivot Ball, 5 pcs  
 D20022 Short Pod Link  
 D20037 M3x5 Flathead Screw, 10 pcs

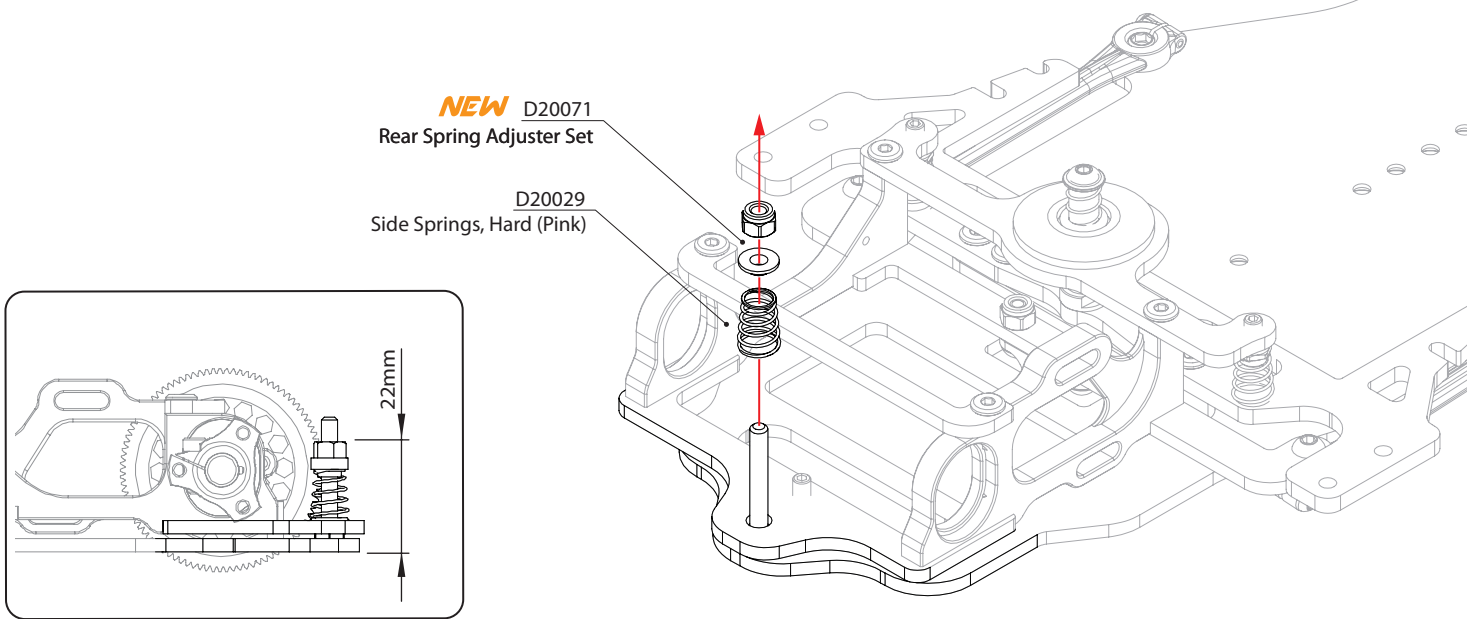
D20038 M2x8 Roundhead Screw, 10 pcs  
 D20039 M3x5 Roundhead Screw, 10 pcs  
 D20067 Damper Post  
 D20068 Graphite Lipo Brace

### 7

### REAR DAMPER



### 8



- D10107 M3x4 Roundhead Screw, 10 pcs
- D10114 M3x8 Set Screw, 10 pcs
- D10133 3mm Spacer (Steel), 10 pcs
- D10337 M3x6 ULP head Screw, 10 pcs
- D20018 Center Damper O ring, 2 pcs

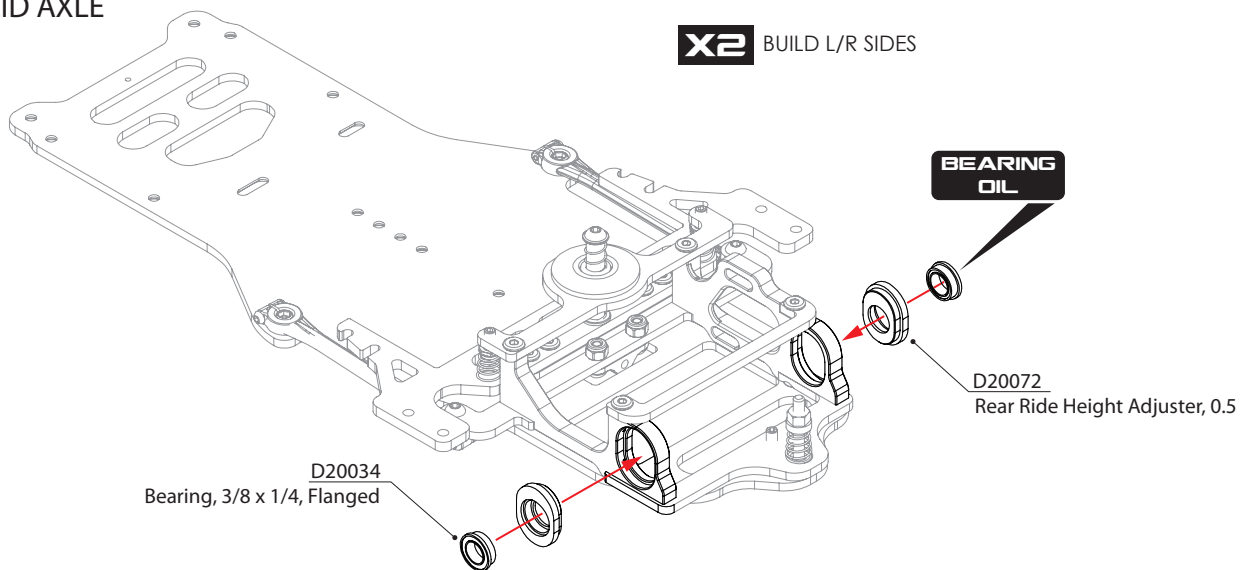
- D20020 Flat Damper Disc, 2 pcs
- D20026 Aluminium Side Spring Retainer
- D20027 Side Springs, Medium, 2 pcs
- D20069 Graphite Damper Plate
- D20070 Center Damper Spring, Soft, 2 pcs

9

REAR SOLID AXLE

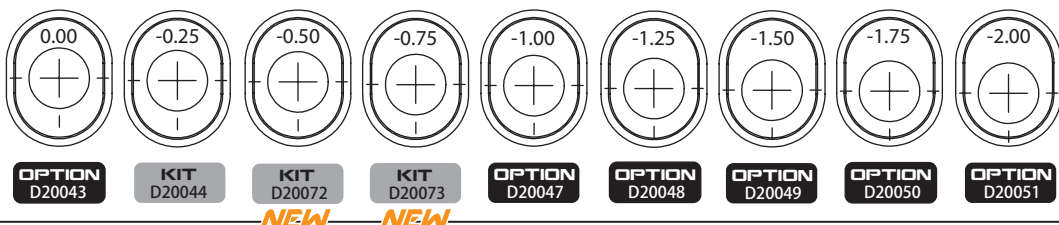
X2 BUILD L/R SIDES

BAG B

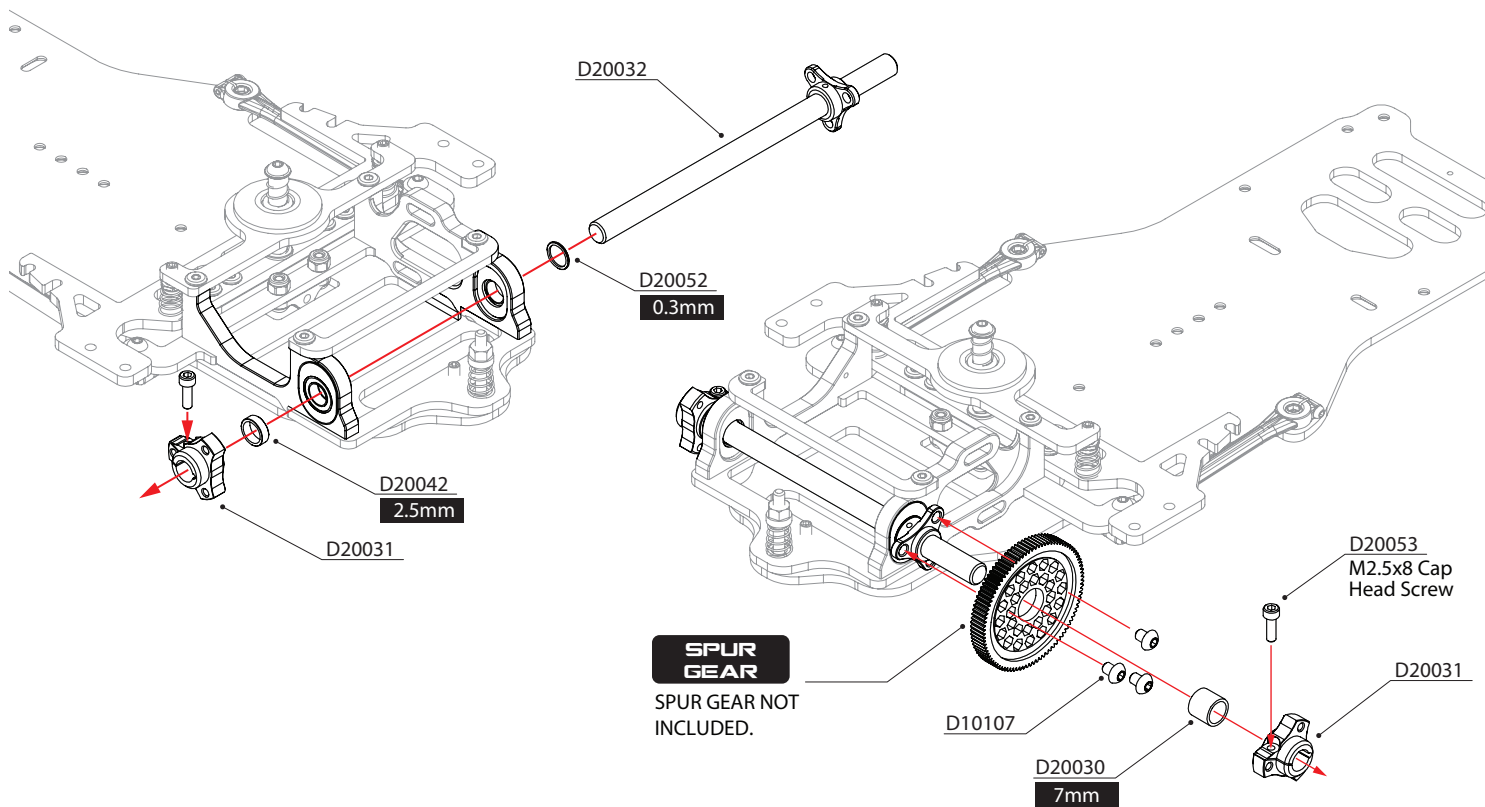


AXLE HEIGHT ADJUSTER

0.25mm per step fine ride height adjustment



10



- D10107 M3x4 Roundhead Screw, 10 pcs
- D20030 Rear Axle Spacer, 7mm
- D20031 Aluminum Wheel Hub, Left
- D20032 Carbon Solid Axle
- D20034 Bearing, 3/8 x 1/4, Flanged, 2 pcs

- D20042 Rear Axle Spacer, 2.5mm
- D20052 Rear Axle Spacer Shim Set (0.1/0.2/0.3mm)
- D20053 M2.5x8 Cap head Screw, 10 pcs

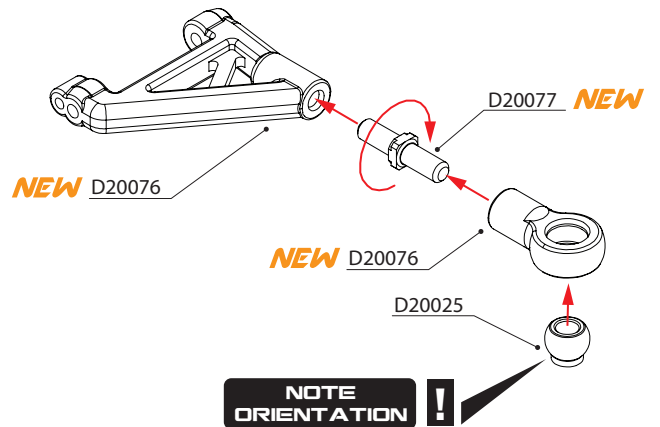
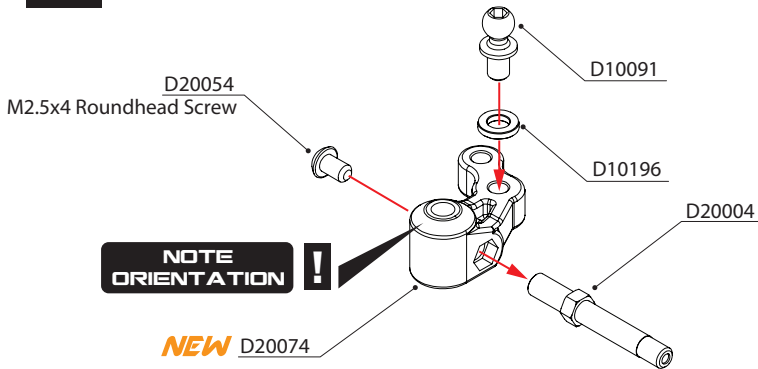
11

BAG

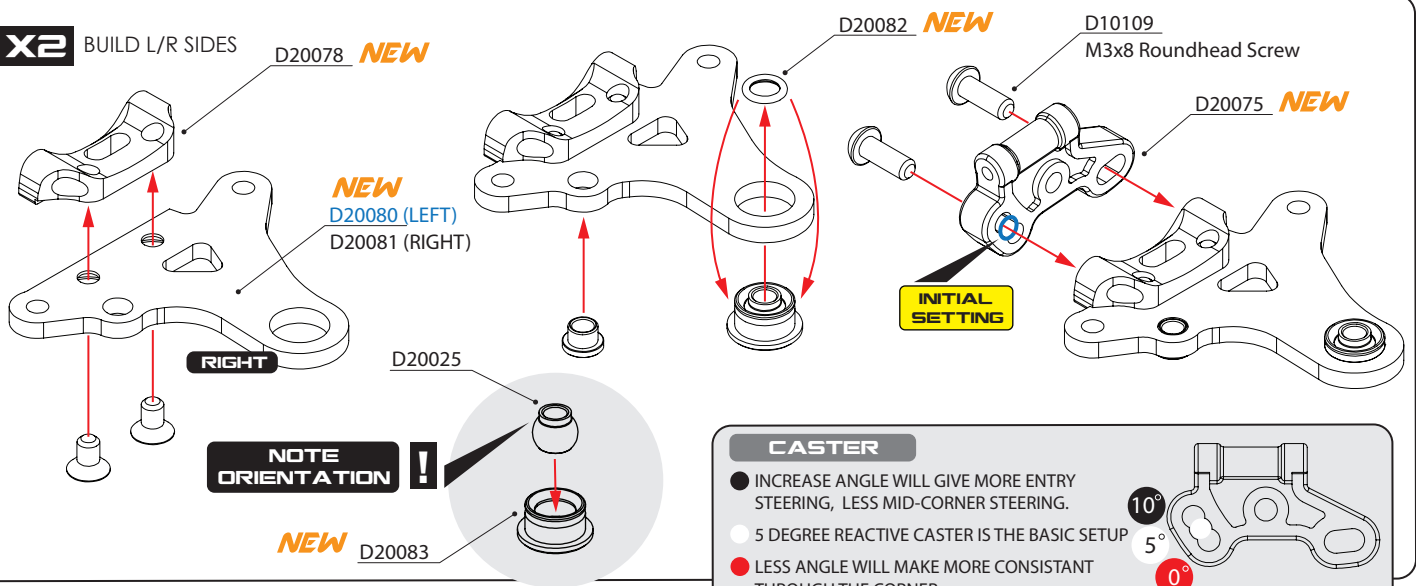


### FRONT SUSPENSION

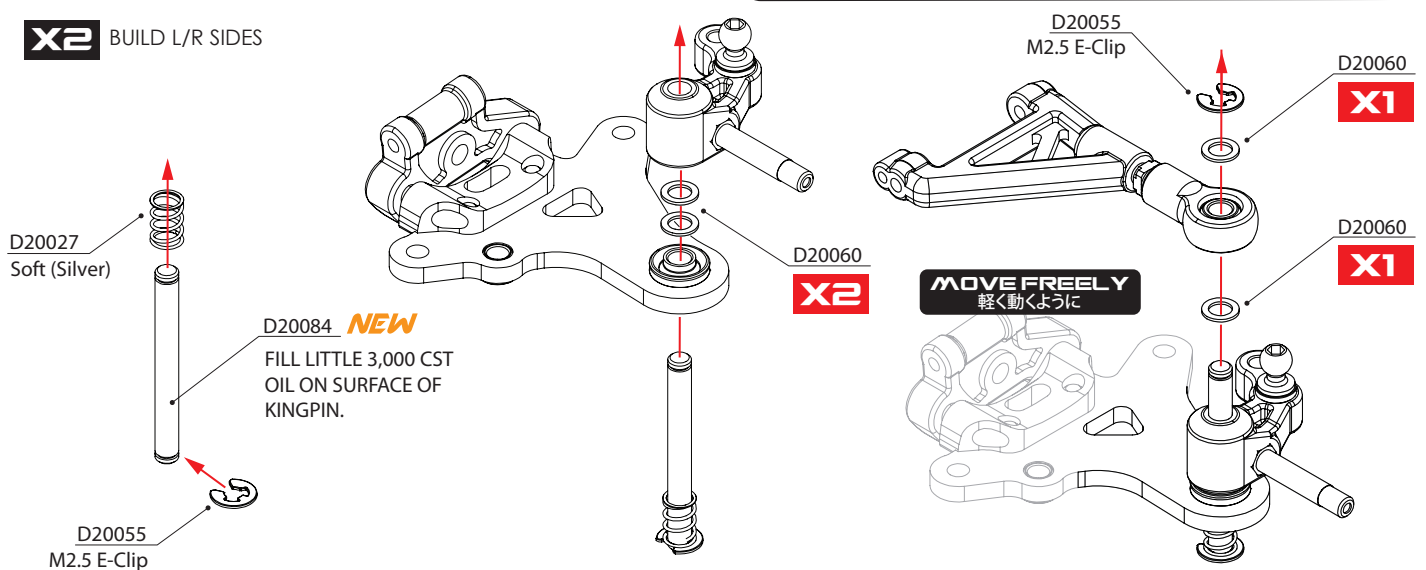
#### X2 BUILD L/R SIDES



#### X2 BUILD L/R SIDES



#### X2 BUILD L/R SIDES



D10091 Aluminum 4.3x10.8mm Ballstud, 6 pcs  
 D10196 3x5.5x1.0mm Aluminum Spacer (Black), 10 pcs  
 D20004 Stub Axle, 2 pcs  
 D20025 Pivot Balls, Front Suspension, 4 pcs  
 D20028 Front Springs, Soft, 2 pcs  
 D20074 Steering Knuckle Set  
 D20075 Upper Arm Caster Block Set

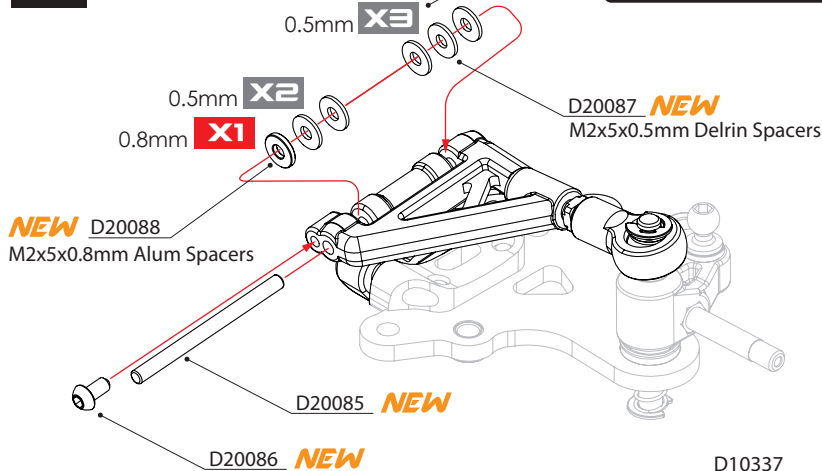
D20076 Upper Arm & Ball End Set  
 D20077 M3x15 Turnbuckle (Steel), 2 pcs  
 D20078 Aluminum Front Upper Bulkhead, Black  
 D20082 7x5x1 O-ring, 10pcs  
 D20084 Kingpin, 2 pcs  
 D20083 Pivot Ball Bushing Set, 2 pcs

## CASTER SETUP

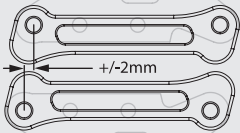
**X2** BUILD L/R SIDES**MORE SHIMS TO INCREASE CASTER****CASTER**

ADJUST CASTER ANGLE BY SHIMS IN DIFFERENT POSITION ON THE CASTER BLOCK.

- INCREASE CASTER :  
MORE CORNERING SPEED, MAKE CAR MORE STABLE.
- DECREASE CASTER :  
MORE REACTIVE STEERING, MORE STEERING RESPONSE.

**WHEELBASE**

ADJUST WHEELBASE (+/-2mm) BY DIFFERENT ORIENTATION OF LOWER FRONT BULKHEAD.



SHORT WHEELBASE

LONG WHEELBASE

INITIAL SETTING

**NOTE ORIENTATION !****NEW** D20079D10337  
M3x6 ULP head ScrewD10133  
0.5mm **X2****RISE HEIGHT**D10102  
M3x6 Flathead Screw**FRONT CHASSIS BRACE****NO BRACE :**

LESS STEERING RESPONSE, MAKE CAR MORE STABLE. RECOMMENDED FOR LOW TRACTION SURFACE.

**WITH BRACE :**

MORE MORE STEERING RESPONSE. RECOMMENDED FOR MEDIUM AND HIGH TRACTION SURFACE.

**NEW** D20089D10197  
M3x5.5x2mm Spacers

D10109

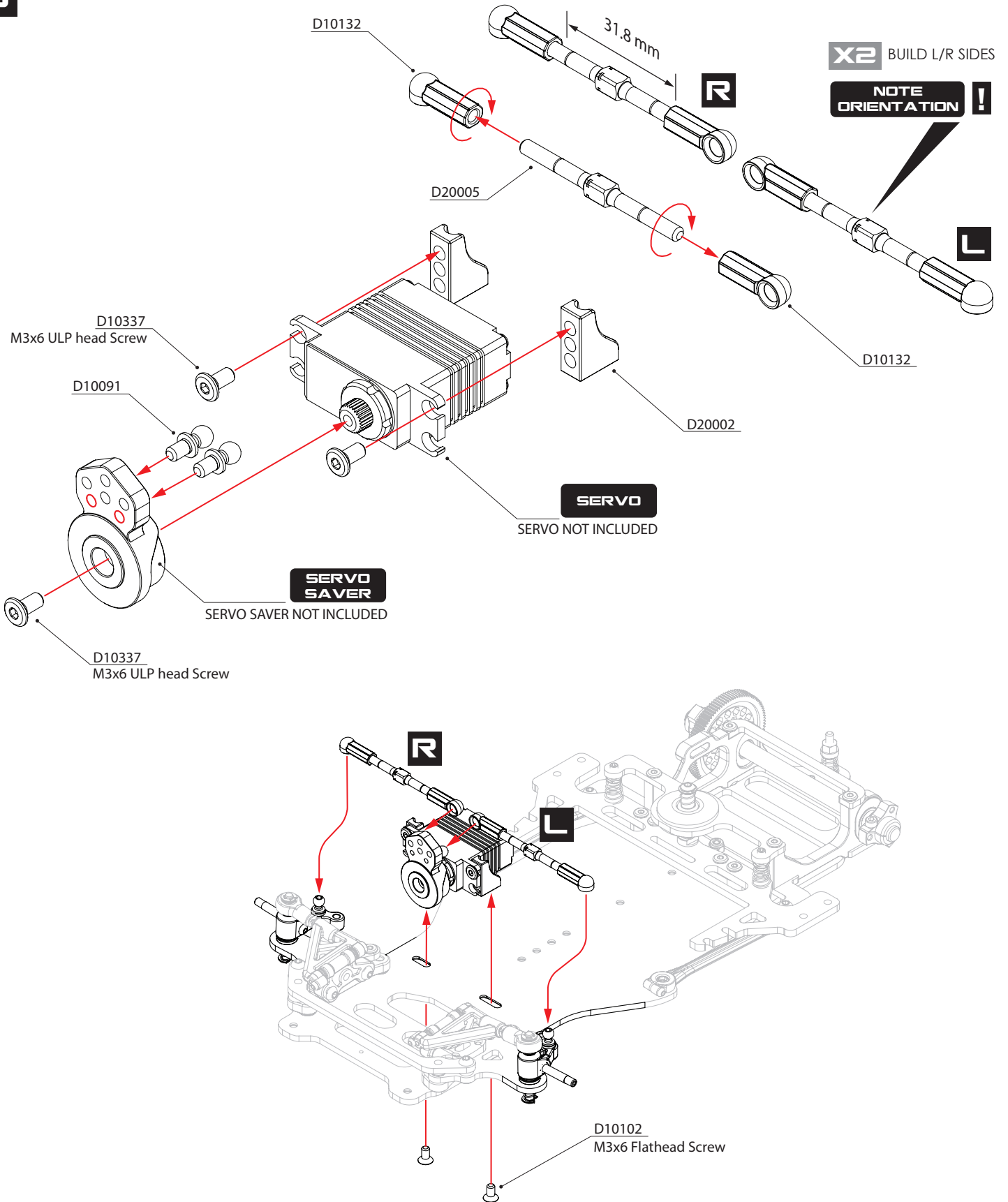
D10102 M3x6 Flathead Screw, 10 pcs  
 D10109 M3x8 Roundhead Screw, 10 pcs  
 D10133 3mm Spacer (Steel), 10 pcs  
 D10197 3x5.5x2.0mm Aluminum Spacer (Black), 10 pcs  
 D10337 M3x6 ULP head Screw, 10 pcs

D20079 Aluminum Front Lower Bulkhead, Black  
 D20085 2mm Upper Hinge Pin  
 D20086 M2x4 Roundhead Screw, 10 pcs  
 D20087 M2x5x0.5mm Delrin Spacers, 10 pcs  
 D20088 Aluminum Caster Spacer Set (0.8/1.2mm x2)  
 D20089 Graphite Front Chassis Brace



## 13

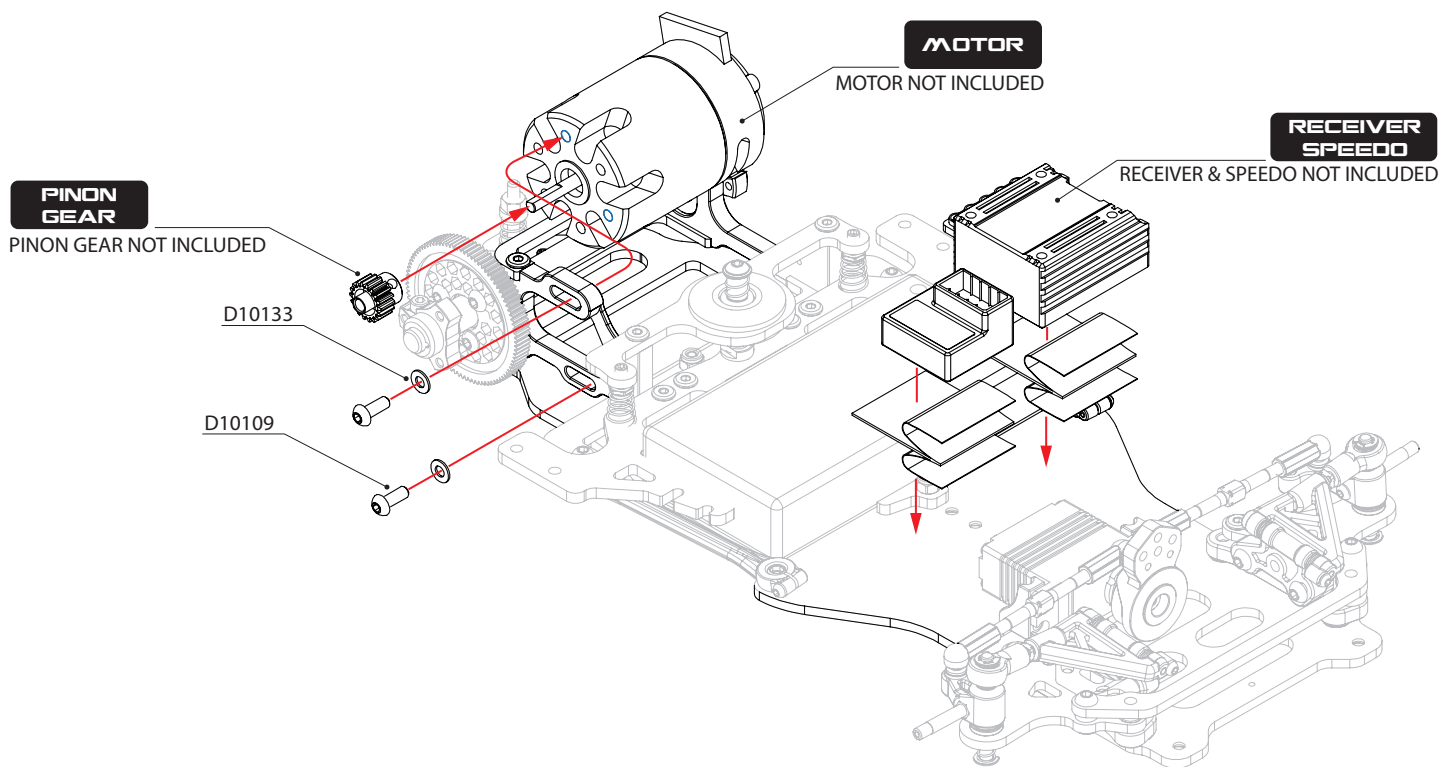
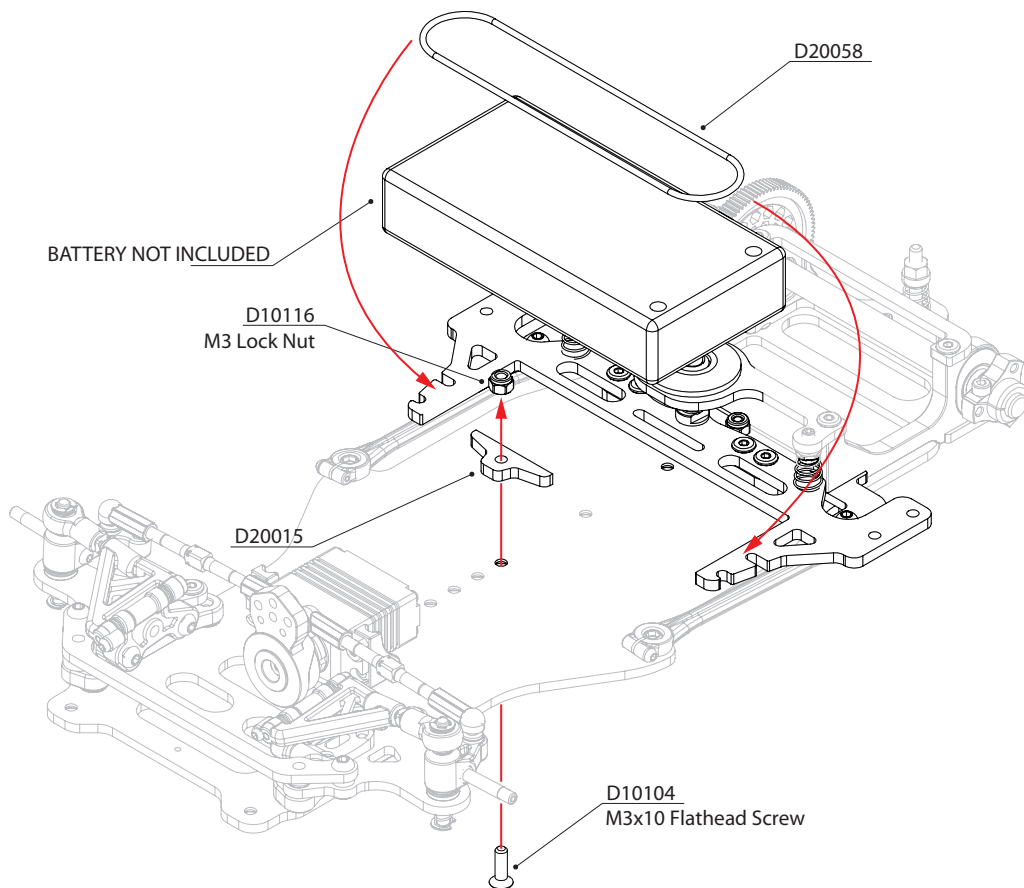
### SERVO INSTALLATION



- D10091 Aluminum 4.3x10.8 Ballstud
- D10132 Plastic Ball Cups (4.3x13mm), 4 pcs
- D10337 M3x6 ULP head Screw, 10 pcs
- D20002 Aluminum Servo Mount
- D20005 Aluminum 42mm Turnbuckle, Black, 2 pcs

14

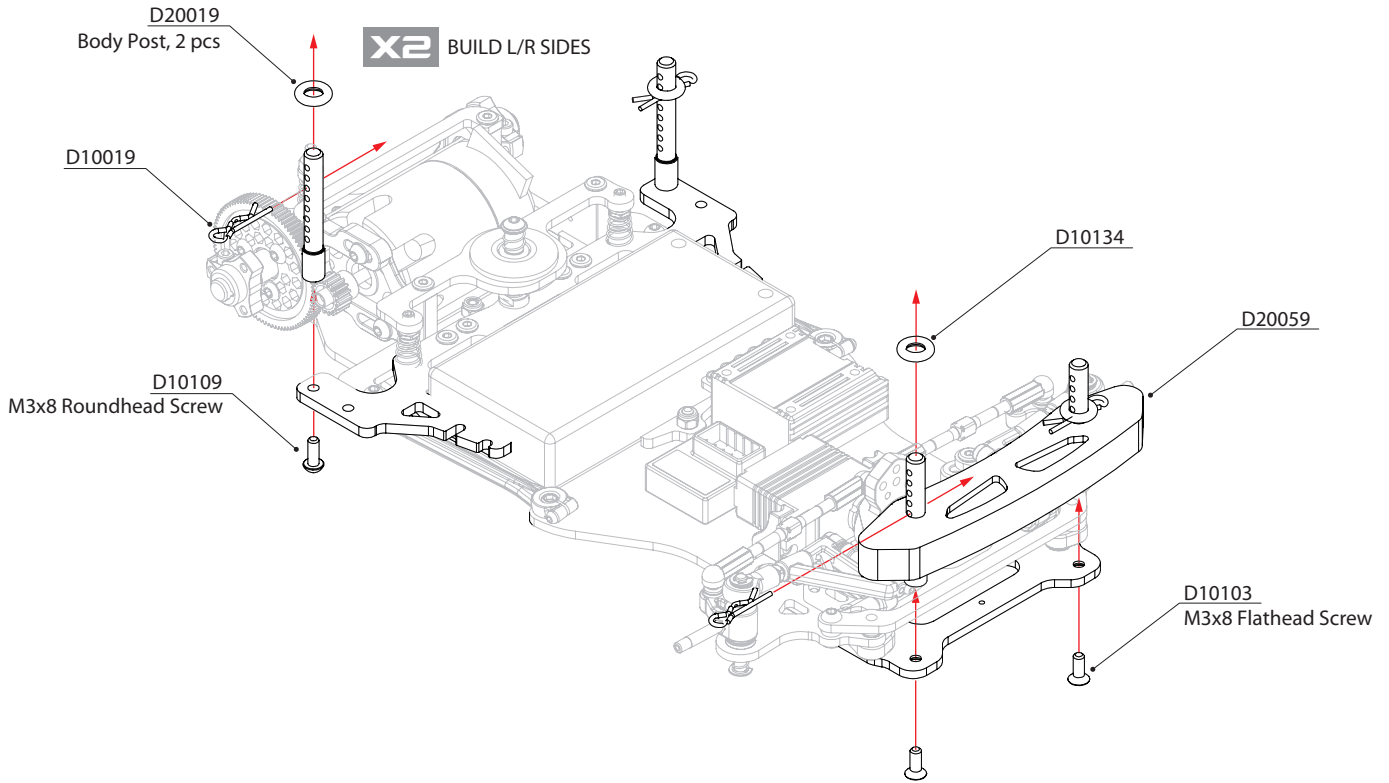
BAG



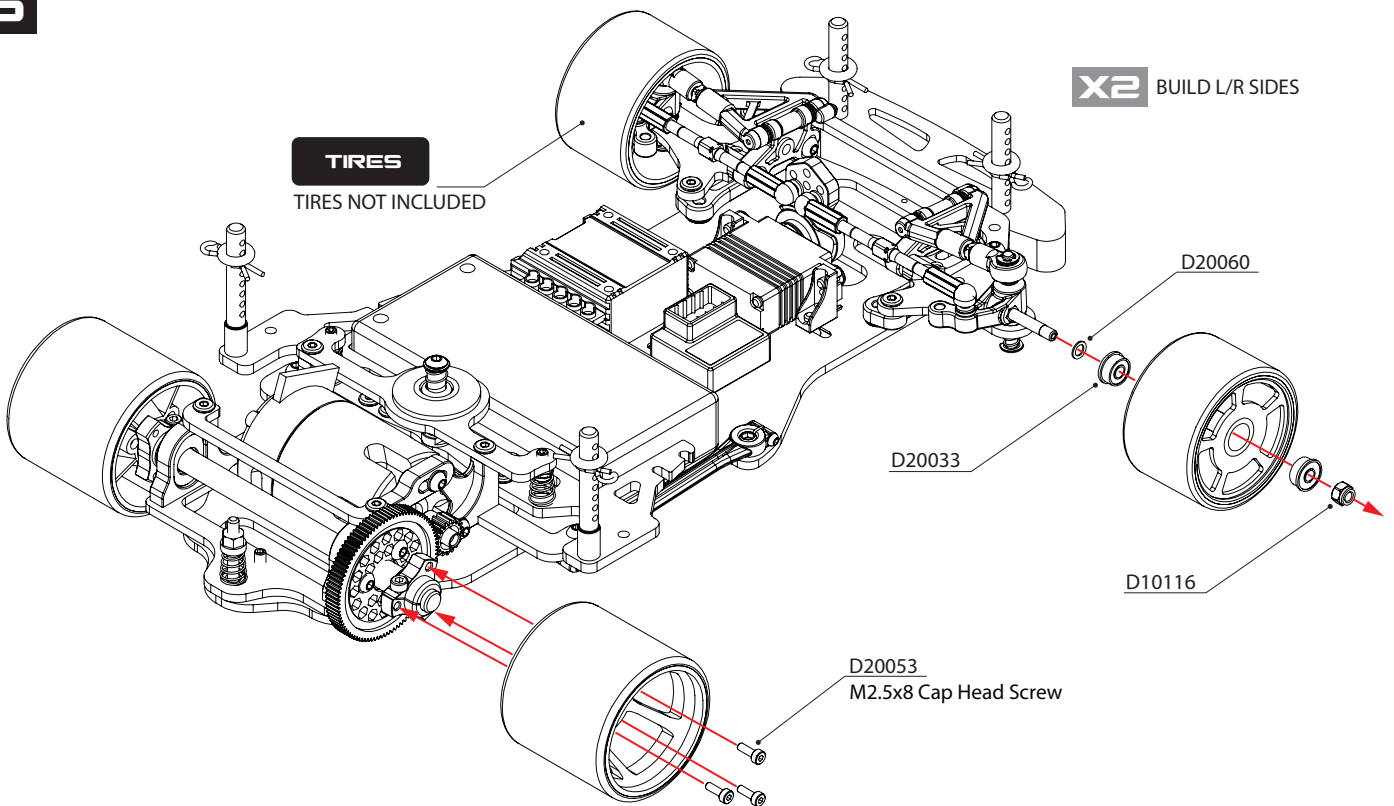
D10116 M3 Lock Nut, 10 pcs  
 D20015 Graphite Lipo Stop  
 D10104 M3x10 Flathead Screw, 10 pcs  
 D20058 Battery O ring, 3 pcs

D10109 M3x8 Roundhead Screw, 10 pcs  
 D10133 3mm Spacer (Steel), 10 pcs

15



16



- D10019 Body Clips
- D10103 M3x8 Flathead Screw, 10 pcs
- D10109 M3x8 Roundhead Screw, 10 pcs
- D10116 M3 Lock Nut, 10 pcs
- D10134 Body Cushions, 10 pcs

- D20033 Bearing 1/8 x 5/16, Flanged, 2 pcs
- D20053 M2.5x8 Cap Head Screw, 10 pcs
- D20059 Urethane Foam Bumper
- D20060 Kingpin Shim, M3.2x0.4, 10 pcs



# ROCHE

ROCHE PRODUCTS INTERNATIONAL

# DESTINY

[WWW.ROCHERC.COM](http://WWW.ROCHERC.COM)